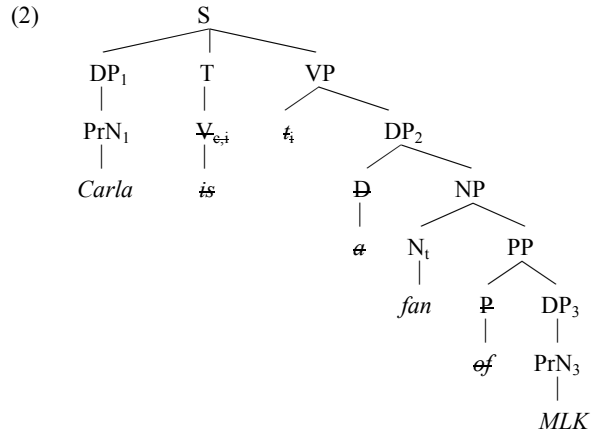
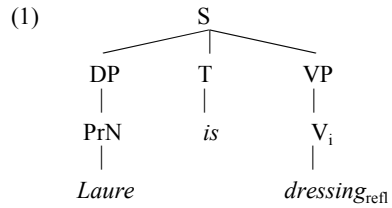


Ling 320. Assignment 7. Due 25 October 2007.

Part 1. Using the Oct 18th class grammar, provide derivations of the truth conditions for each of the following:



Assume: $[[fan]]^s = \{ \langle x, y \rangle \mid x \text{ is a fan of } y \text{ in } s \}$
 $[[MLK]]^s = MLK$

Part 2. (You will be able to do this as of Tuesday, October 23rd). Using the Oct 23rd class grammar, provide derivations of the truth conditions for each of the following:

